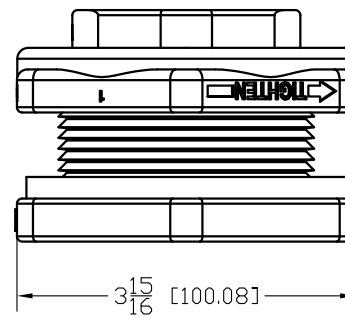
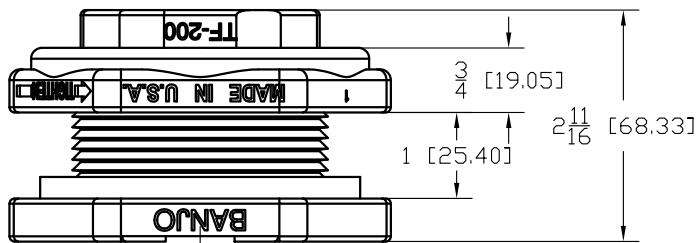


Parts List			
Item	Qty	Name	Material
1	1	TF201	Polypropylene
2	1	TF153	Polypropylene
3	1	VL1005	FKM Decal (N/S)
4	1	300GV	FKM



BANJO
LIQUID HANDLING PRODUCTS[®]

BANJO CORPORATION
150 BANJO DR. ■ CRAWFORDSVILLE, IN 47933

PART NO. TF200V

TITLE
2" Tank Flange

THIS DRAWING AND ALL INFORMATION CONTAINED THEREON ARE THE EXCLUSIVE PROPERTY OF BANJO CORPORATION. UNLESS SPECIFICALLY NOTED, THIS DRAWING AND ITEMS SHOWN ON THIS DRAWING ARE SUBJECT TO CHANGE AT ANY TIME.